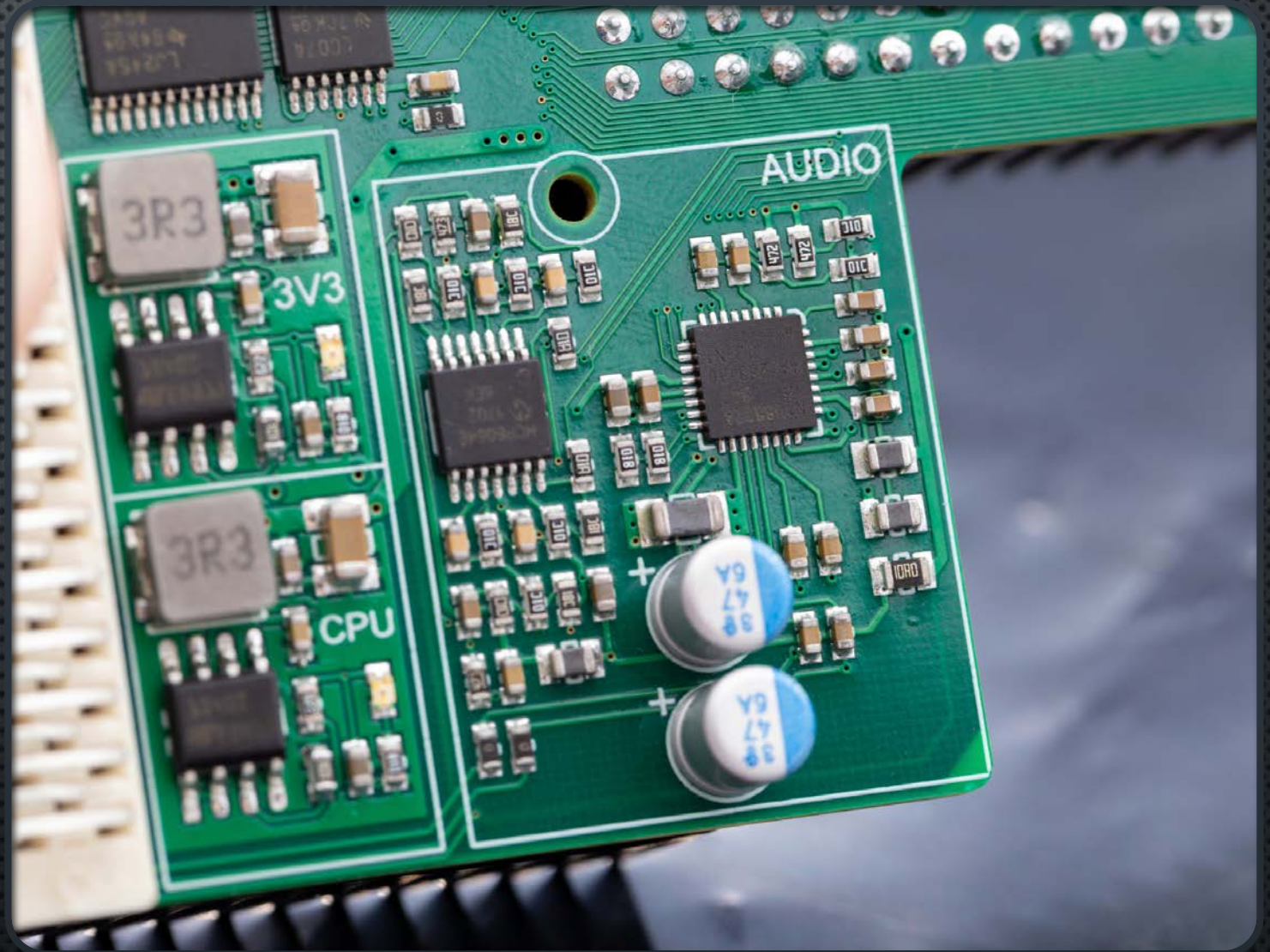


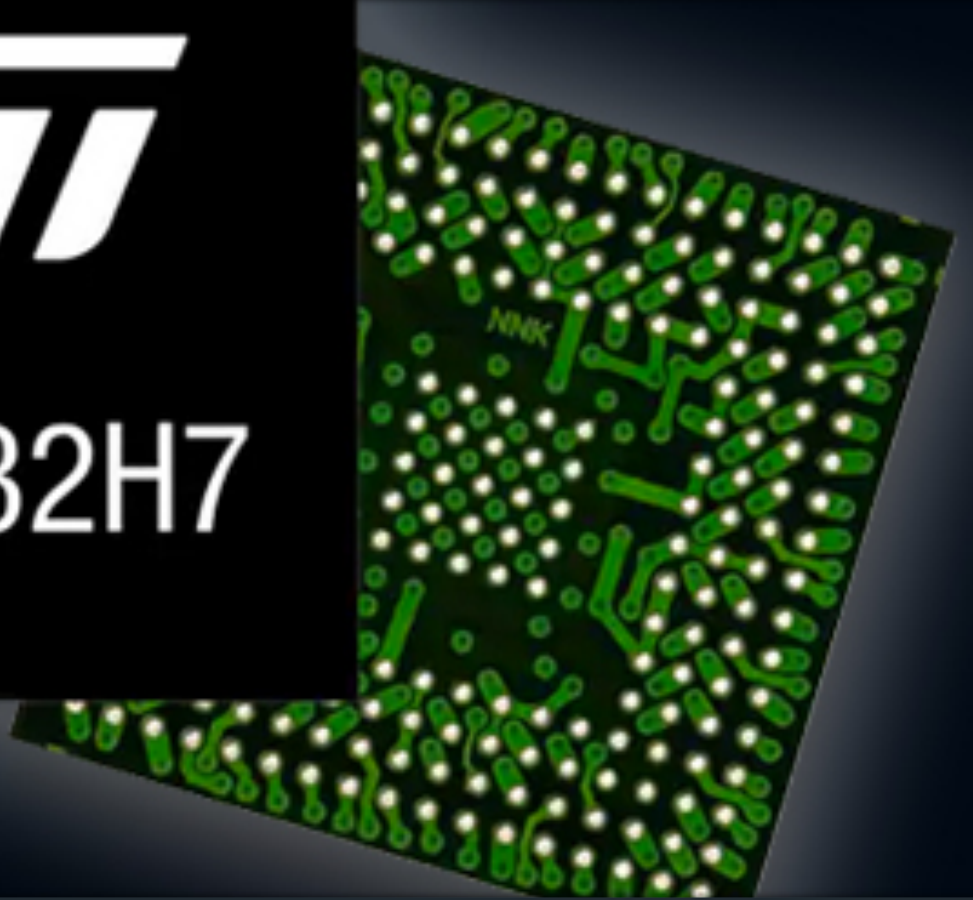
WARP 1260/560 AUDIO CARD

CAPABILITIES

WARP CARDS ARE EQUIPPED WITH NAU8822 - STEREO AUDIO CODEC

- 24-BIT STEREO
- DAC: 94dB SNR AND -84dB THD
- ADC: 90dB SNR AND -80dB THD
- INTEGRATED LINE INPUT AND LINE OUTPUT
- INTEGRATED SPEAKER DRIVER: 1W INTO 8Ω
- DSP (5-BAND EQUALIZER, 3-D AUDIO)
- INPUT AUTOMATIC LEVEL CONTROL
- NOTCH FILTER AND HIGH PASS FILTER





THE ARM® CORTEX®-M7-BASED STM32H7

- VERY FAST DECODE MP3 FILES
- SAI AUDIO INTERFACE (44.1, 16 , 48, 96, 192 KHZ)
- SPDIF PROTOCOL (IEC60958) OUTPUT FOR VIDEO
- SOFTWARE AUDIO SIGNAL MIXER (ADVANCED / SIMPLE)
- STEREO 12BIT SAMPLER INPUT

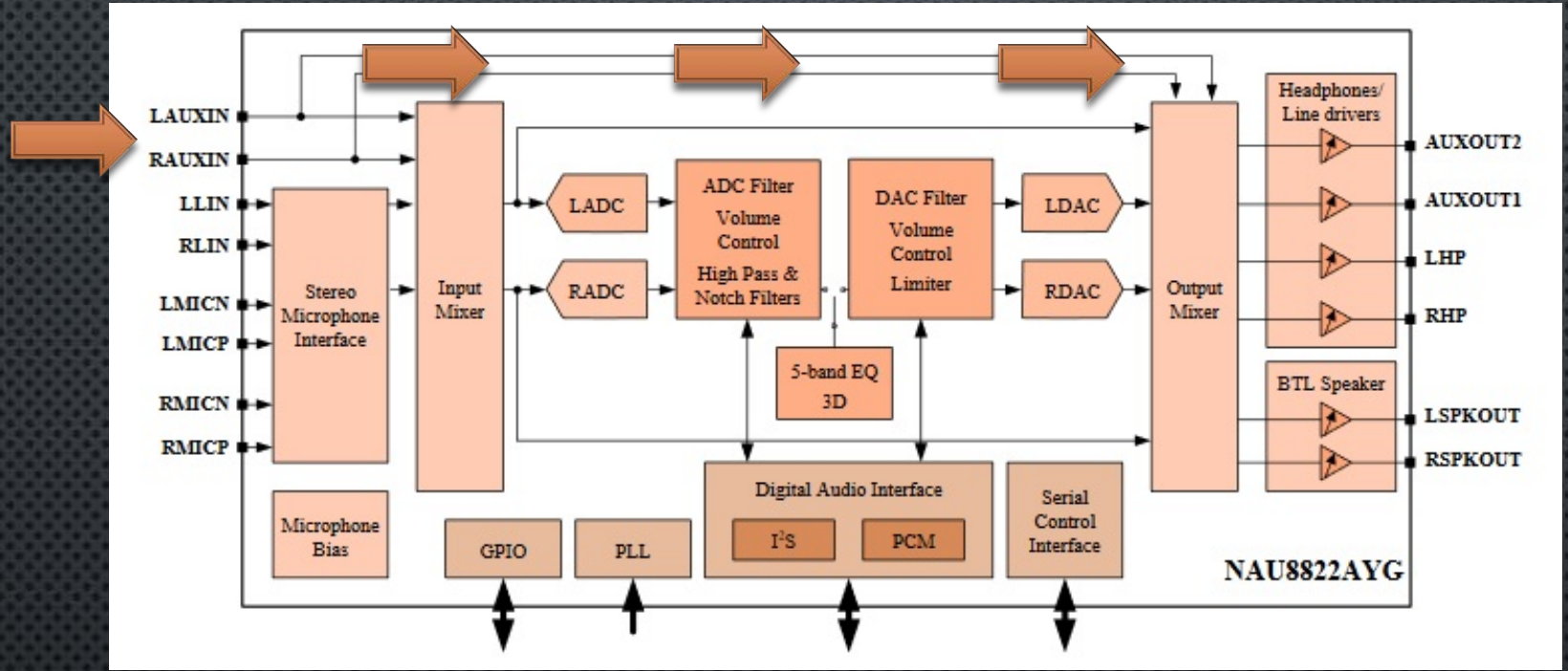
Extended WARP audio card modes



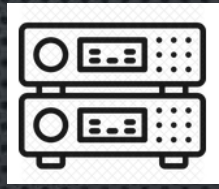
examples

AUDIO - Direct mode

AMIGA
audio output
(PAULA CHIP)



Amplifier

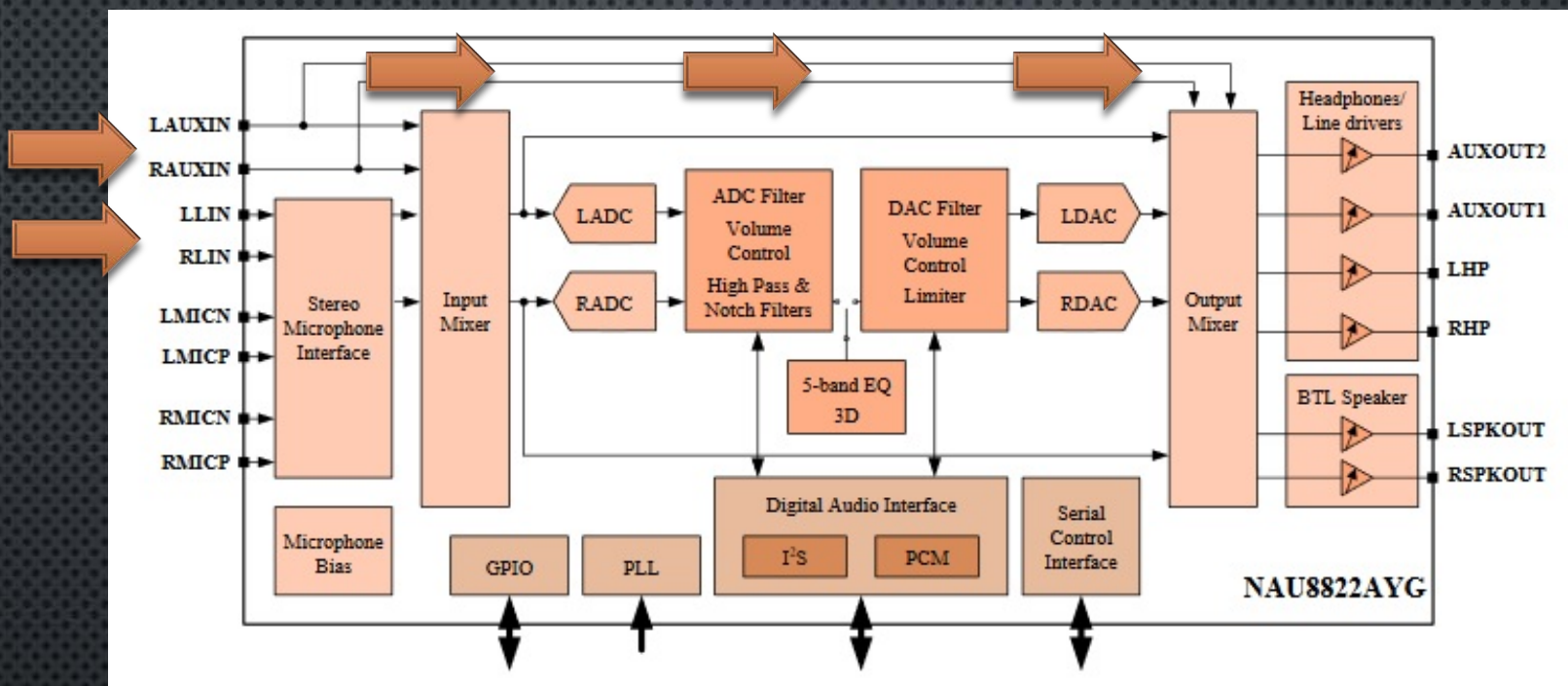


Internal speaker

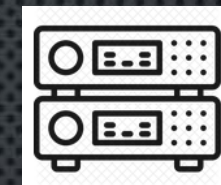


AUDIO - Direct mode

AMIGA
audio output
(PAULA CHIP)



Amplifier



Internal speaker



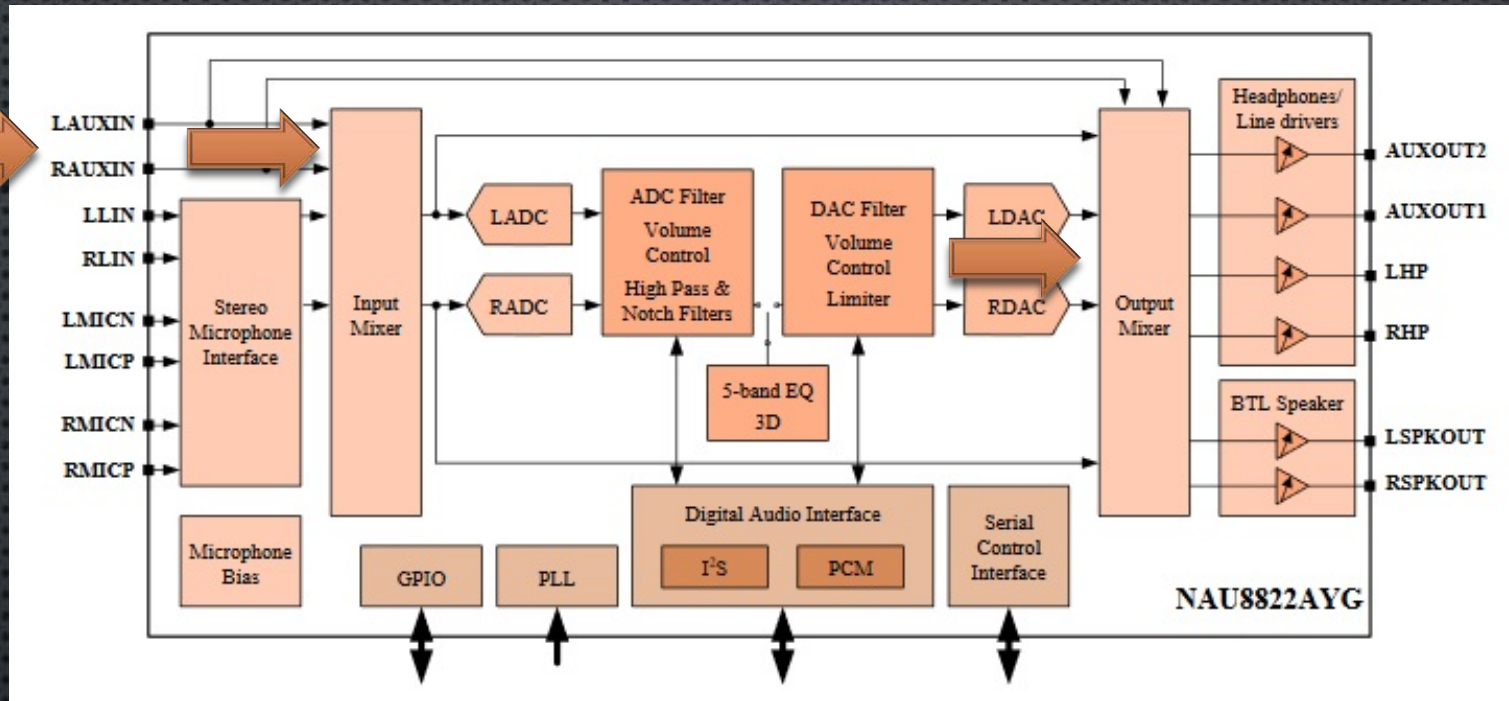
ANALOG ARM
AUDIO CHANNEL



- Audio Status information
- Additional sound effects

AUDIO - Advanced mode

AMIGA
audio output
(PAULA CHIP)



Amplifier



Internal speaker



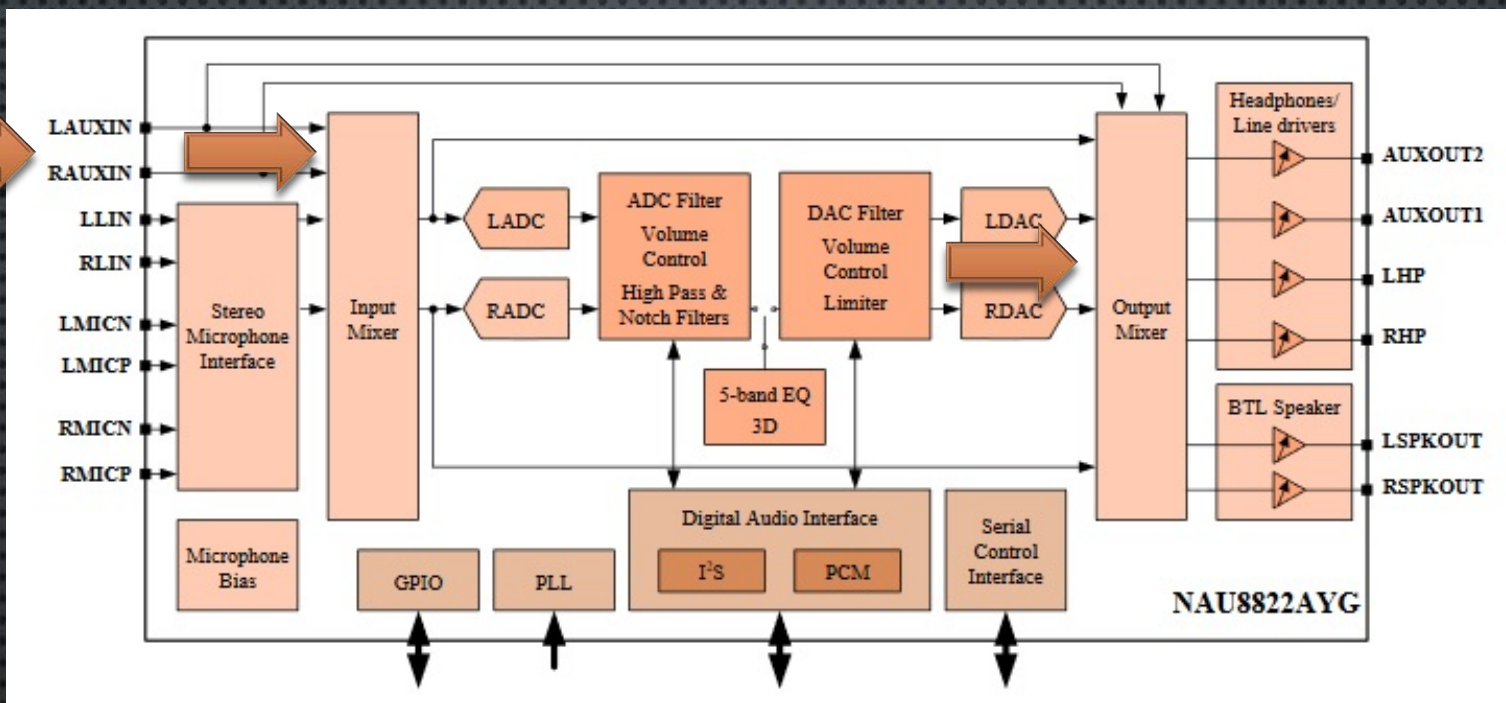
16 Bit
Digital Audio



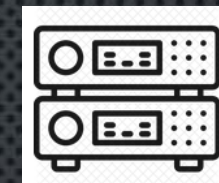
- hardware / software equalizer
- 3D effect
- full input / output volume control
- mixer amiga mono channel
- software audio effects

AUDIO + VIDEO

AMIGA
audio output
(PAULA CHIP)



Amplifier



Internal speaker



16 Bit
Digital Audio



S/PDIF



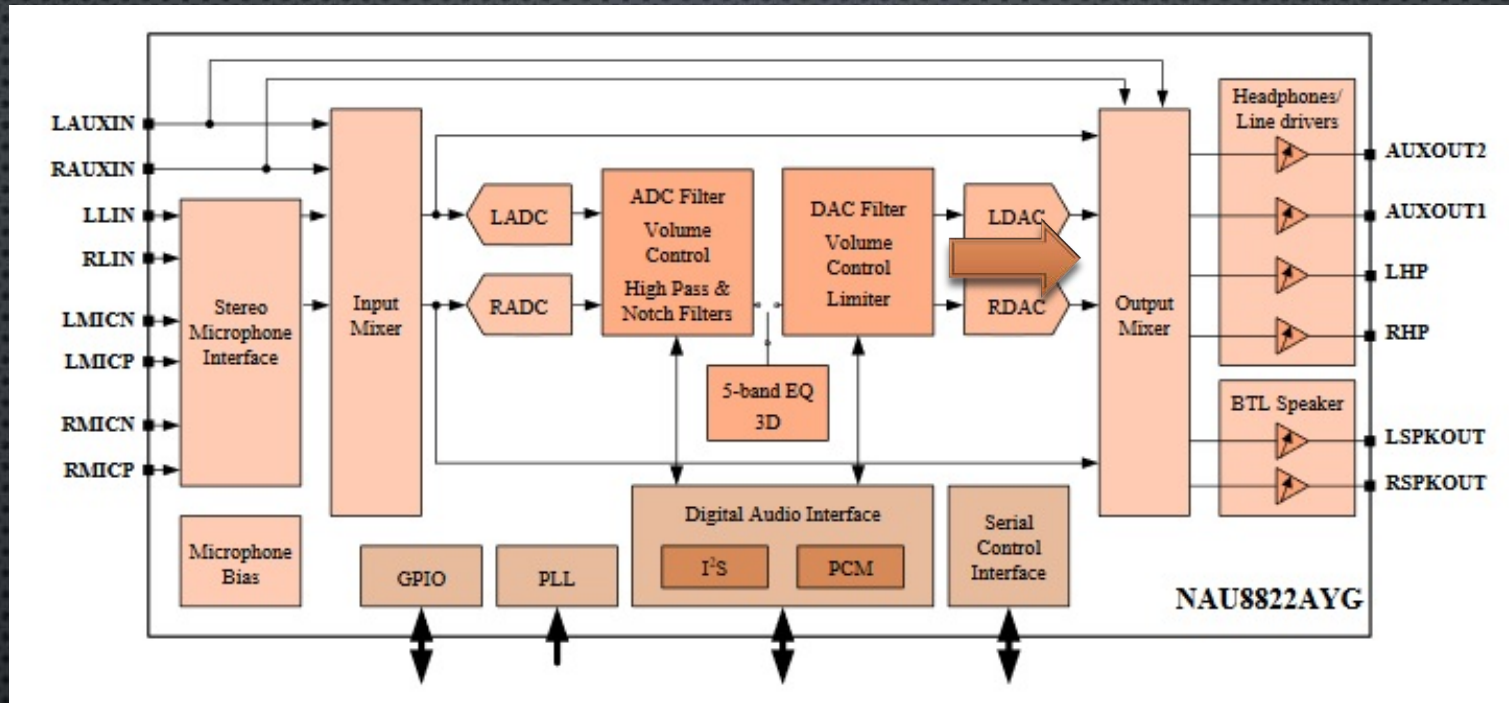
RTG



Digital
VIDEO + AUDIO



Multichannel audio modules



Amplifier



Internal speaker



AMIGA multichannel module



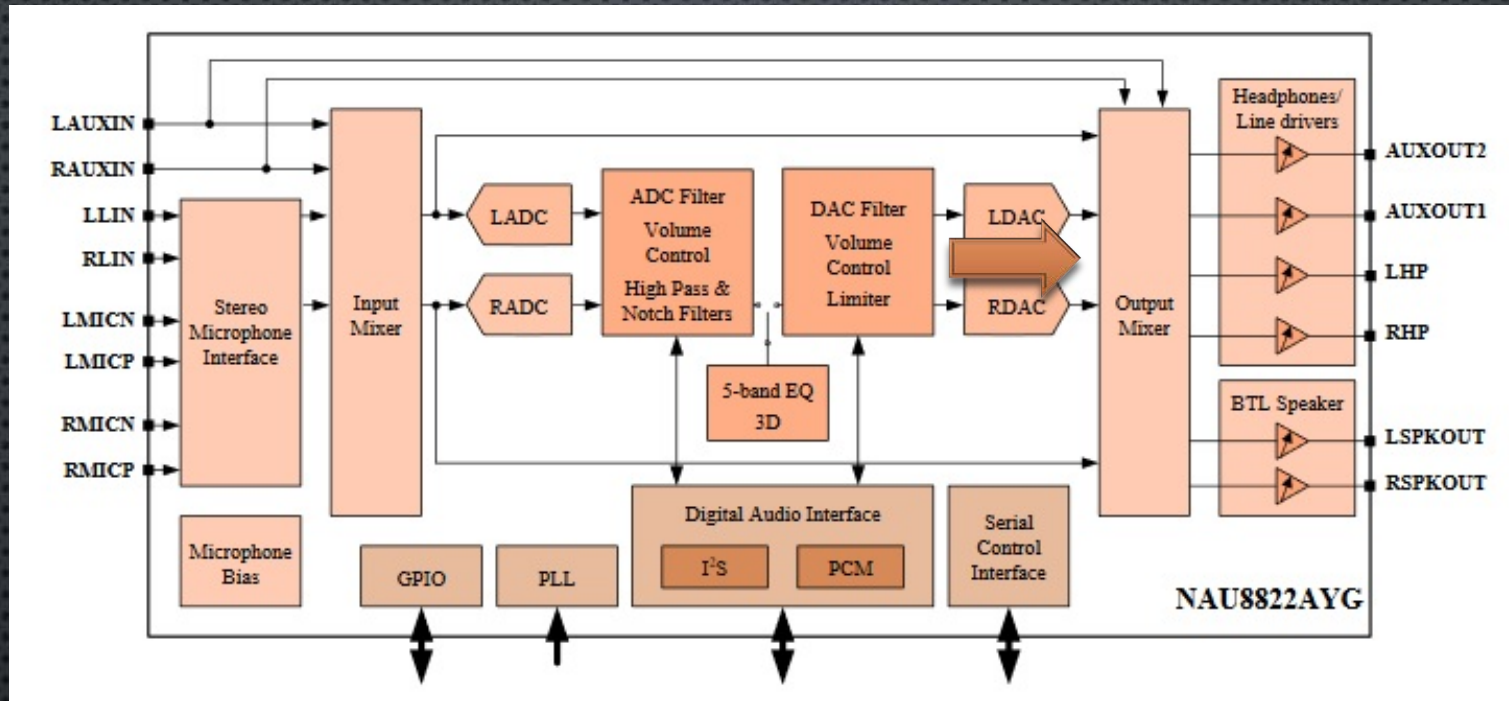
AH1 audio system

Mixing channels



- hardware / software equalizer
- 3D effect
- full input / output volume control
- software audio effects

MP3 - Decoding



Amplifier



Internal speaker



AMIGA read file



mpega.library



AHI audio system

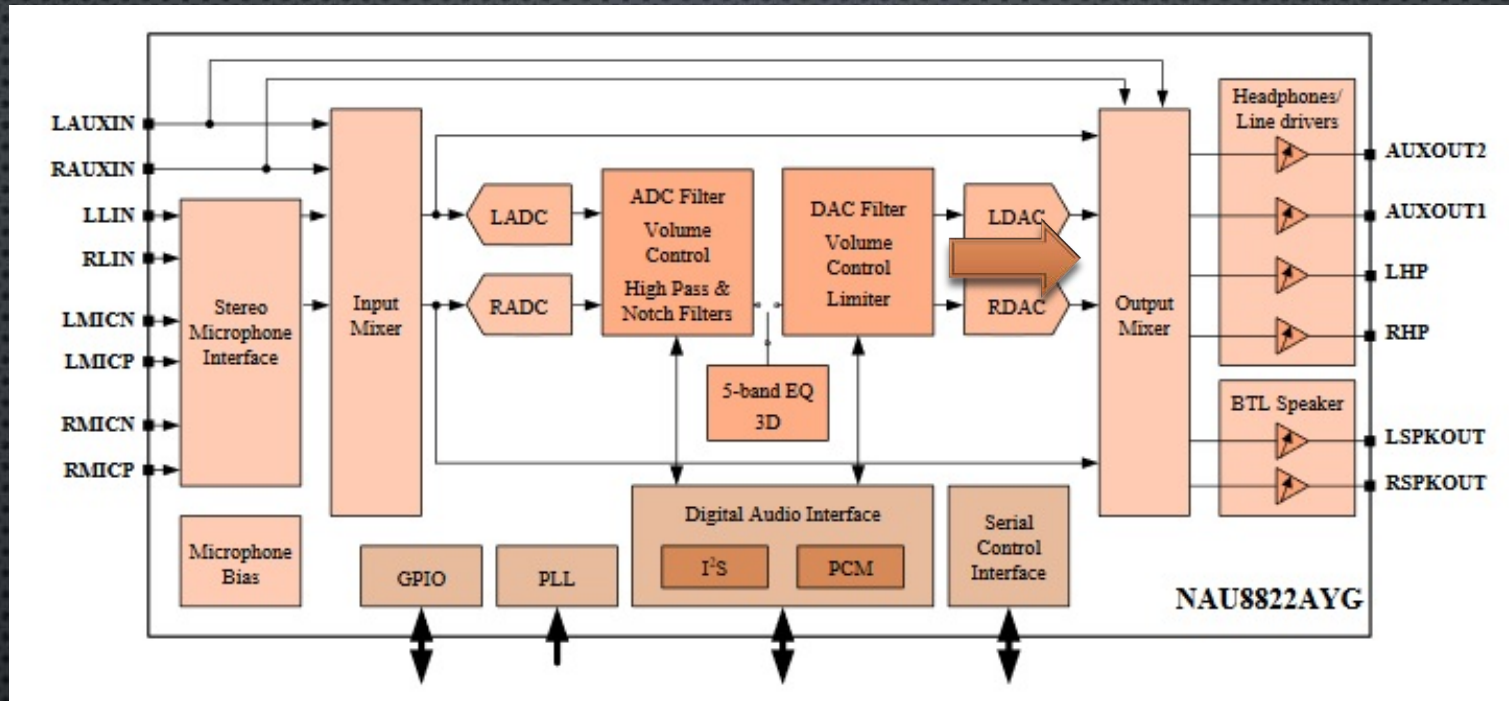


MP3 decode



- hardware / software equalizer
- 3D effect
- full input / output volume control
- mixer amiga mono channel
- software audio effects

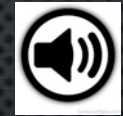
Internal sampler



Amplifier



Internal speaker



Sampler input



12 bit Analog Converter



- AHI
- DIGITAL PORT



AMIGA SAMPLE RECORDER

